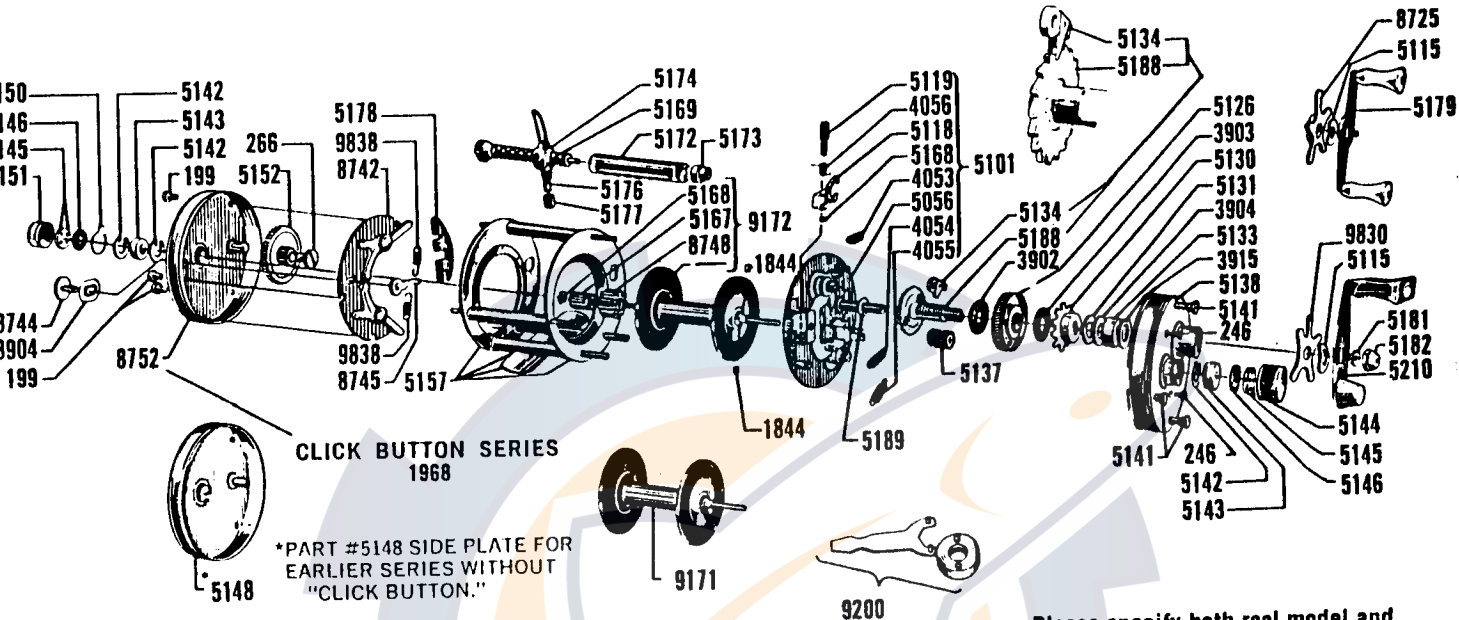




AMBASSADEUR 5000B



CLICK BUTTON SERIES 1968
 *PART #5148 SIDE PLATE FOR EARLIER SERIES WITHOUT "CLICK BUTTON."

Prices subject to change without notice

Part No.	Part Name	Price	Part No.	Part Name	Price	Part No.	Part Name	Price
199	Pillar Screw	(each) .10	5133	Drive Shaft Bearing	.25	5178	Carriage Screw Lock Arm	.10
246	Bridge Screw	(each) .10	5134	Anti Reverse Dog	.65	5179	Handle, Double Knob (Accessory)	2.50
266	Cog Wheel Screw	.10	5137	Right Pinion Gear	1.05	5181	Handle Retaining Screw	.10
1844A	Brake Block, Small	(each) .10	5138	Right Side Plate	4.85	5182	Handle Lock Nut	.50
1844B	Brake Block, Medium	(each) .10	5141	Side Plate Thumb Nut	(each) .25	5188	Drive Shaft with Ratchet Wheel	2.60
1844C	Brake Block, Large	(each) .10	5142	Spool Bearing Lock	(each) .10	5189	Drive Shaft Shim	.10
3902	Base Drag Washer	.10	5143	Spool Shaft Bearing	(each) .90	5210	Handle Standard	2.75
3903	Drag Washer	.10	5144	Right Spool Cap	.95	8725	(5147) Star Wheel, Small	2.25
3904	Drag Spacer	.10	5145	Spool Centering Shim	(each) .10	8742	Click Plate Assembly	1.05
3915	Drag Shim	.10	5146	Felt Oil Retainer	(each) .10	8744	Click Button	.30
4053	Left Lock Arm Spring	.10	5148	Left Side Plate (FIRST SERIES)	3.75	8745	Click Pawl	.35
4054	Right Lock Arm Spring	.10	5150	Spool Tension Indicator	.10	8748	Click Ratchet	.10
4055	Press Arm Spring	.10	5151	Left Spool Cap	.90	8752	Left Side Plate (Click Button)	3.75
4056	Pinion Yoke Spring	.10	5152	Cog Wheel	1.05	8904	Click Button Plate	.10
5056	Brake Plate	5.75	5157	Frame Assembly	5.25	9171	(5162) Spool Complete, Small (with container)	10.00
5101	Brake Plate Assembled	7.00	5167	Left Pinion Gear	.55	9172	(8743) Spool Complete, Large (with container)	10.00
5115	Friction Washer	.10	5168	"C" Lock	(each) .10	9200	Drag Conv. Kit for Miami Met. Derby	2.75
5118	Pinion Yoke	.50	5169	Carriage Screw	2.10	9210	Spool Container	.60
5119	Pinion Yoke Shaft	.10	5172	Carriage Screw Guard	1.65	9830	(9260) Star Wheel	2.75
5126	Drive Gear with Click Spring	1.60	5173	Carriage Screw Bearing	.10	9838	Click Pawl Spring	(each) .10
5130	Click Wheel	1.05	5174	Line Carriage	2.50			
5131	Spring Washer	.10	5176	Line Carriage Pawl	.60			
			5177	Line Carriage Nut	.20			

Please specify both reel model and part numbers when ordering.

PARTS AND SERVICE AVAILABLE AT THE FOLLOWING REGIONAL FACTORY REPAIR DEPOTS:

FACTORY SERVICE
 RODS, REELS AND PARTS

THE GARCIA SERVICE DEPARTMENT
 329 ALFRED AVENUE
 TEANECK, NEW JERSEY 07666

THE CONOLON CORPORATION
 1111 EAST McFADDEN STREET
 SANTA ANA, CALIFORNIA 92705

SILICOTE SALES DIVISION
 520 WEST 14th AVENUE
 OSHKOSH, WISCONSIN 54902

J. K. CLARK COMPANY
 ACO SPORTSMEN SERVICE
 13501 VAN DYKE
 DETROIT, MICHIGAN 48234

REEL SERVICE AND PARTS

NATE BUELL SERVICE CORPORATION
 5013 N.E. 42nd STREET
 PORTLAND, OREGON 97218

HARRY C. MILLER CO., INC.
 257 PARK AVENUE SOUTH
 NEW YORK, NEW YORK 10010

SHERMAN LOYD SALES COMPANY
 4737 GREENVILLE AVENUE
 DALLAS, TEXAS 75208